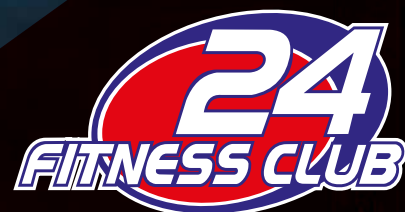


A woman with long blonde hair, wearing a dark blue tank top and leggings, is performing a pull-up on a gym machine. She is holding two rings with both hands, and her arms are extended upwards. The background is a gym with blue and red equipment. The lighting is dramatic, with strong shadows and highlights.

CATALOG NPG M - CROSS

EXPLODE YOUR SKILLS



Distribution & Service

Fitness Club 24 is one of the biggest companies in Easter Europe that equips fitness clubs from A to Z. Our broad offer allows us to adjust to each client separately with brand new or refurbished equipment.

Fitness Club 24 was established in 2008 and thru last 10 years it got 10 times bigger.

Since we do not only sell equipment but also run own gym chain we do have a know-how to operate each gym. So far we have fully supplied hundreds of clubs and delivered our goods across the world.



Our warehouse is over 10 000 m² and is filled with machines, accessories, lockers and utilities. Brand new, refurbished or just as is equipment can be found here.



We hire around 100 highly qualified people. Every single person is responsible for the success of the whole organization. Our employees put a lot of effort into satisfaction of our clients. We have a division in Germany and that allows us to provide the pre and aftersales service in Germany.

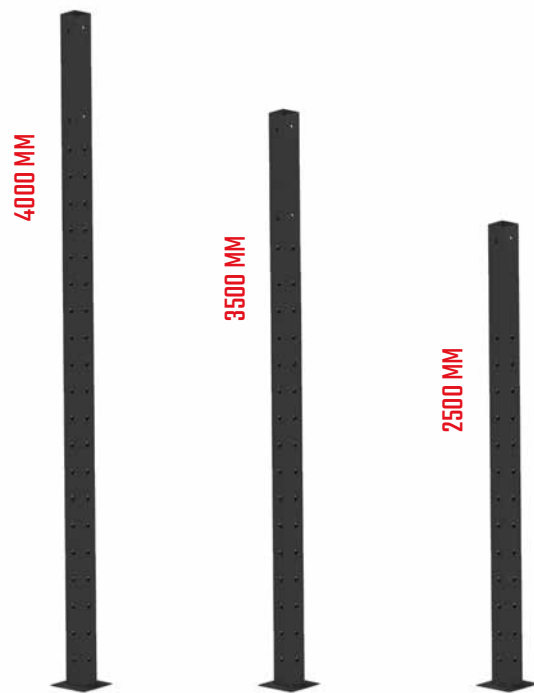


Having all departments in one location improved our efficiency and helped to reduce the time required to handle the orders.



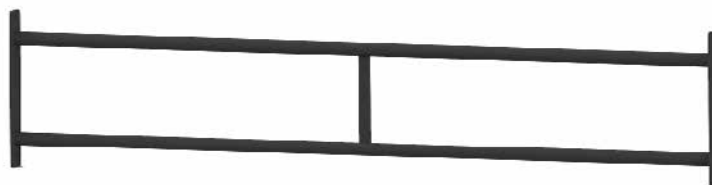
COLUMN 80 X 80

- M.E. - 01 • 2500 mm
- M.E. - 02 • 3500 mm
- M.E. - 03 • 4000 mm



DOUBLE BAR SEGMENT

- M.E. - 04 • 1000 mm
- M.E. - 05 • 1100 mm
- M.E. - 06 • 1200 mm
- M.E. - 07 • 1400 mm
- M.E. - 08 • 1600 mm
- M.E. - 09 • 1800 mm



SINGLE BAR SEGMENT

- M.E. - 10 • 1000 mm
- M.E. - 11 • 1100 mm
- M.E. - 12 • 1200 mm
- M.E. - 13 • 1400 mm
- M.E. - 14 • 1600 mm
- M.E. - 15 • 1800 mm



MUSCLE UP BAR

- M.E. - 16 • 1100 mm
- M.E. - 17 • 1400 mm
- M.E. - 18 • 1600 mm
- M.E. - 19 • 1800 mm







CAGE ACCESSORIES

J-BLOCK
M.A - 01



DIP BARS
M.A - 02



DIP BARS REGULATED
M.A - 03



BOXING BAG HANGER
M.A - 04



BATTLE ROPE ATTACHMENT
M.A - 05



PLYO PLATFORM
M.A - 06



CORE PLATE
M.A - 07



SAFETY SPOT ARM
M.A - 08





CAGE ACCESSORIES

TARGET BALL
M.A - 09



TARGET BALL WITH HANGER
M.A - 10



FLYING PULL UP BAR
M.A - 11



1100 MM

FLYING PULL UP BAR
M.A - 12



1800 MM

STORAGE PLACE
M.A - 13



RIG 2.50 X 1.26 X 1.26
M.R - 01

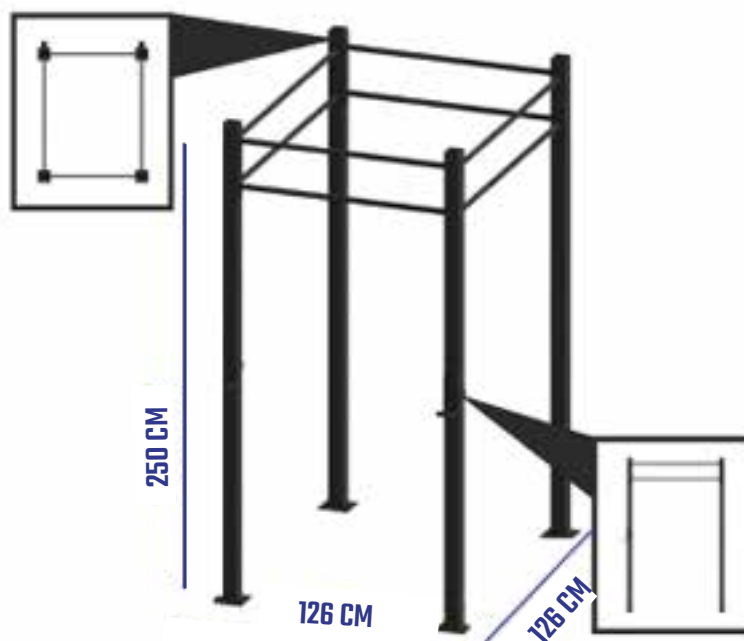
AVAILABLE ELEMENTS

4 X M.E - 01

4 X M.E - 05

AVAILABLE ACCESSORIES

2 X M.A - 01



RIG 2.50 X 3.14 X 1.26
M.R - 02

AVAILABLE ELEMENTS

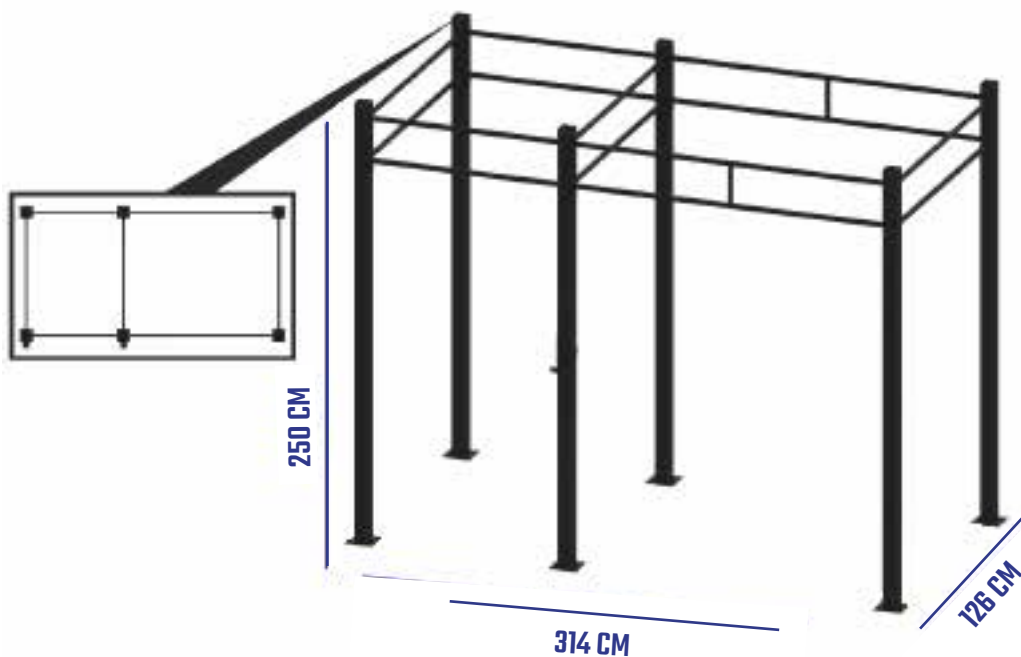
6 X M.E - 01

5 X M.E - 05

2 X M.E - 09

AVAILABLE ACCESSORIES

2 X M.A - 01



RIG 2.50 X 4.32 X 1.26
M.R - 03

AVAILABLE ELEMENTS

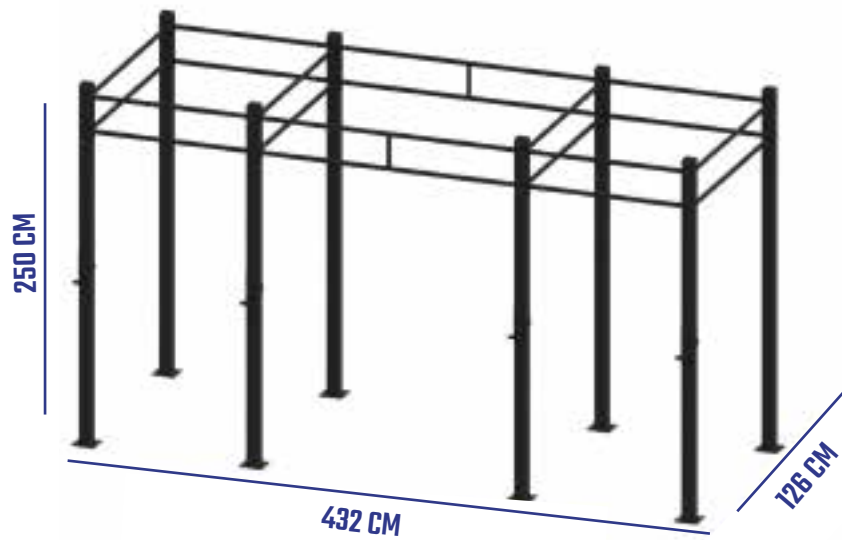
8 X M.E - 01

8 X M.E - 05

2 X M.E - 09

AVAILABLE ACCESSORIES

4 X M.A - 01



RIG 2.50 X 6.20 X 1.26
M.R - 04

AVAILABLE ELEMENTS

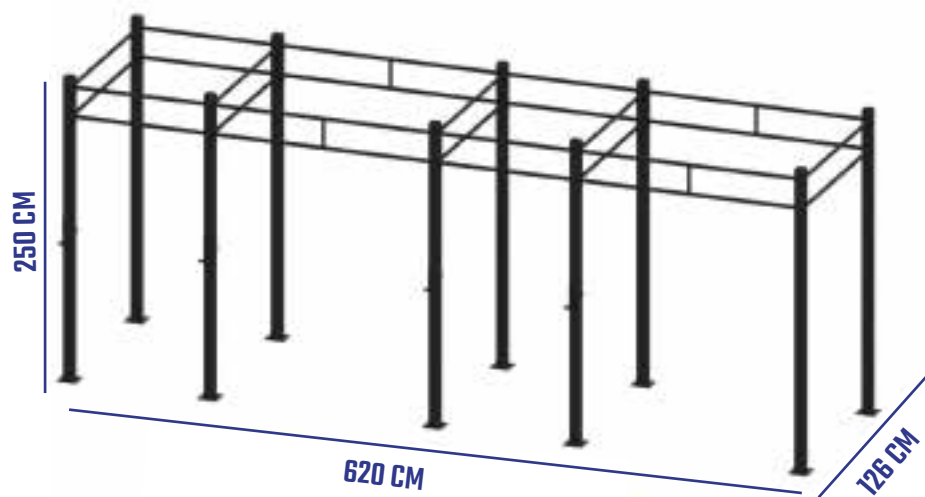
10 X M.E - 01

9 X M.E - 05

4 X M.E - 09

AVAILABLE ACCESSORIES

4 X M.A - 01





RIG 2.50 X 7.38 X 1.26
M.R - 05

AVAILABLE ELEMENTS

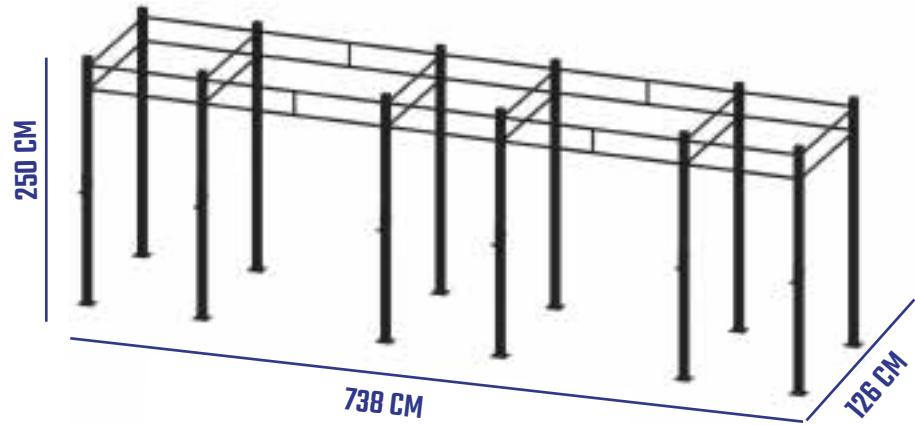
12 X M.E - 01

12 X M.E - 05

4 X M.E - 09

AVAILABLE ACCESSORIES

6 X M.A - 01



MULTISPACE RIG 3.50 X 1.26 X 3.14
M.M.R - 01

AVAILABLE ELEMENTS

4 X M.E - 01

2 X M.E - 02

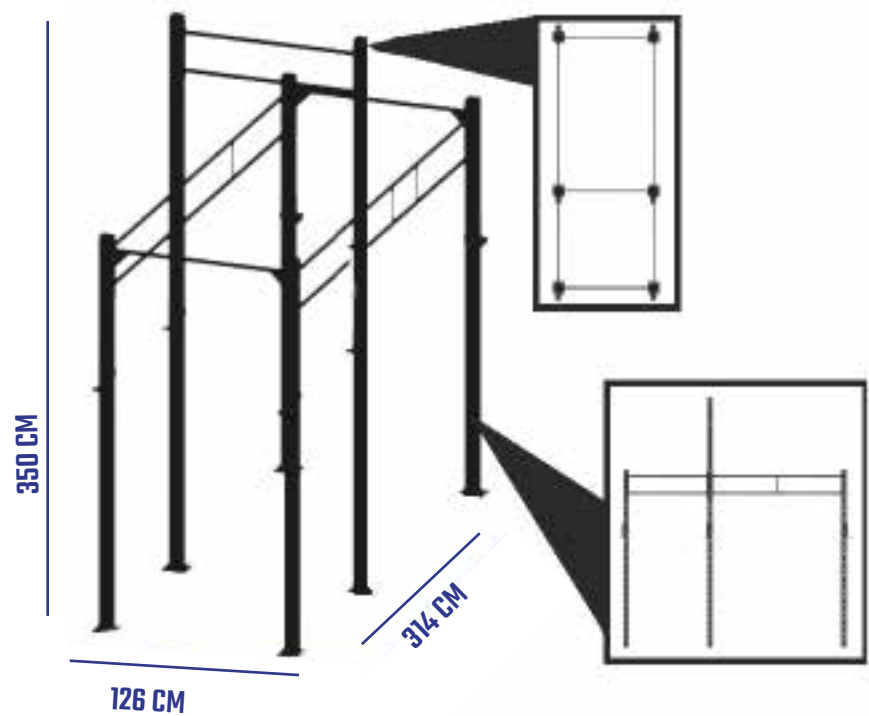
3 X M.E - 05

2 X M.E - 09

2 X M.E - 011

AVAILABLE ACCESSORIES

6 X M.A - 01



MULTISPACE RIG 3.50 X 1.96 X 3.14

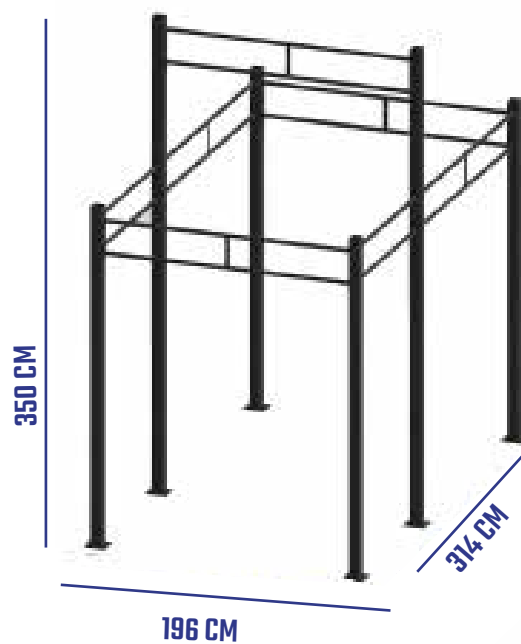
M.M.R - 02

AVAILABLE ELEMENTS

- 4 X M.E - 01
- 2 X M.E - 02
- 2 X M.E - 05
- 5 X M.E - 09

AVAILABLE ACCESSORIES

- 6 X M.A - 01



MULTISPACE RIG 3.50 X 4.32 X 3.14

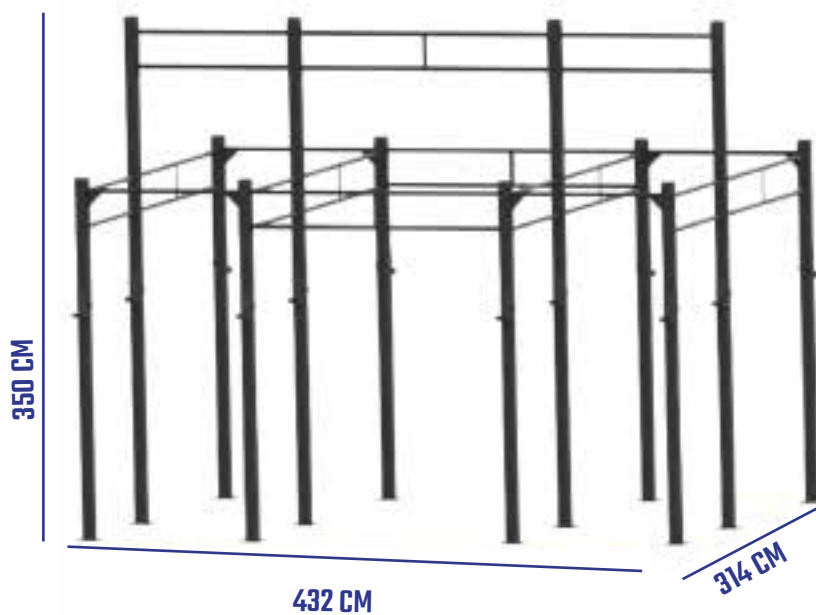
M.M.R - 03

AVAILABLE ELEMENTS

- 8 X M.E - 01
- 4 X M.E - 02
- 6 X M.E - 05
- 7 X M.E - 09
- 4 X M.E - 011

AVAILABLE ACCESSORIES

- 12 X M.A - 01



MULTISPACES / WALL MOUNTED

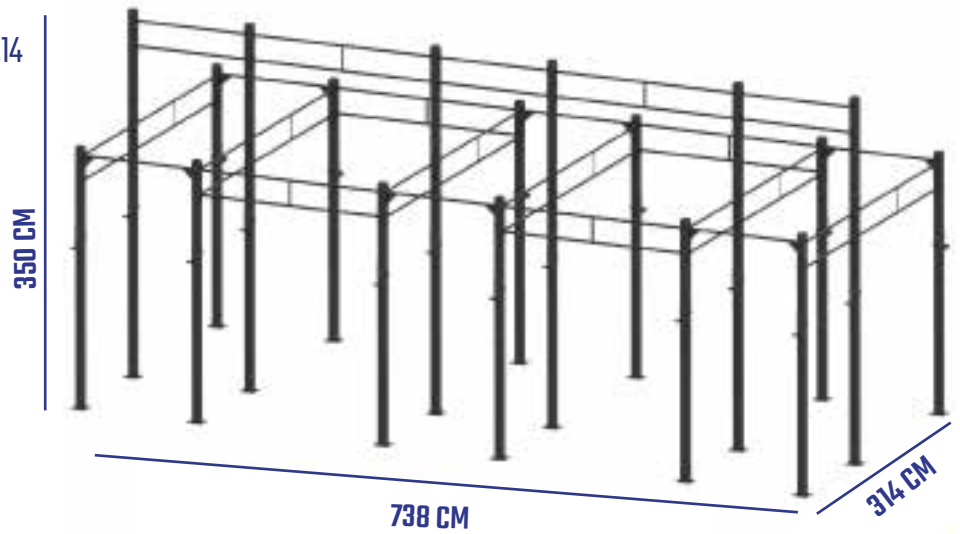
MULTISPACE RIG 3.50 X 7.38 X 3.14
M.R - 04

AVAILABLE ELEMENTS

- 12 X M.E - 01**
- 6 X M.E - 02**
- 9 X M.E - 05**
- 12 X M.E - 09**
- 6 X M.E - 11**

AVAILABLE ACCESSORIES

- 18 X M - 01**



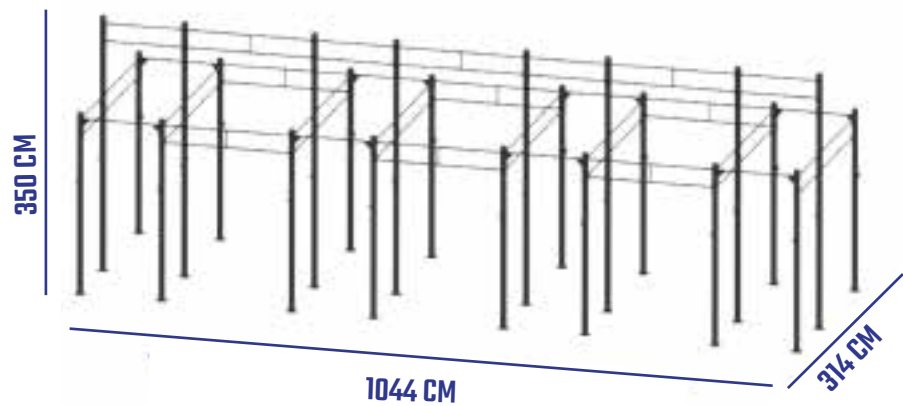
MULTISPACE RIG 3.50 X 10.44 X 3.14
M.R - 05

AVAILABLE ELEMENTS

- 16 X M.E - 01**
- 8 X M.E - 05**
- 12 X M.E - 09**
- 17 X M.E - 01**
- 8 X M.E - 05**

AVAILABLE ACCESSORIES

- 24 X M.A - 01**



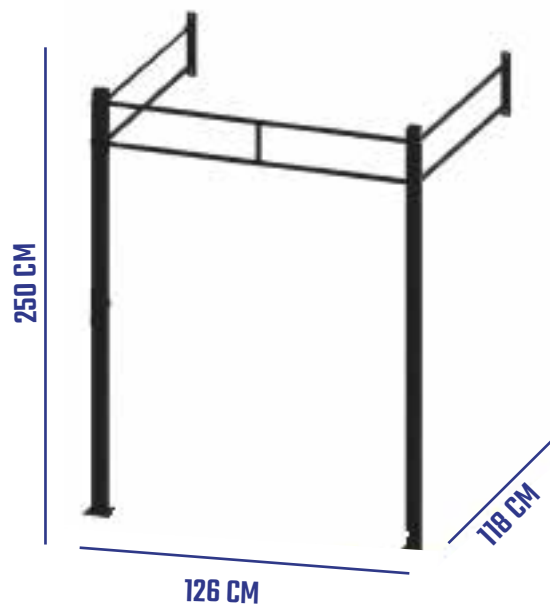
WALL MOUNTED RIG 2.50 X 1.26 X 1.18
M.W.R - 01

AVAILABLE ELEMENTS

- 2 X M.E - 01**
- 3 X M.E - 05**

AVAILABLE ACCESSORIES

- 2X M.A - 01**





WALL MOUNTED RIG 2.50 X 3.14 X 1.18
M.W.R - 02

AVAILABLE ELEMENTS

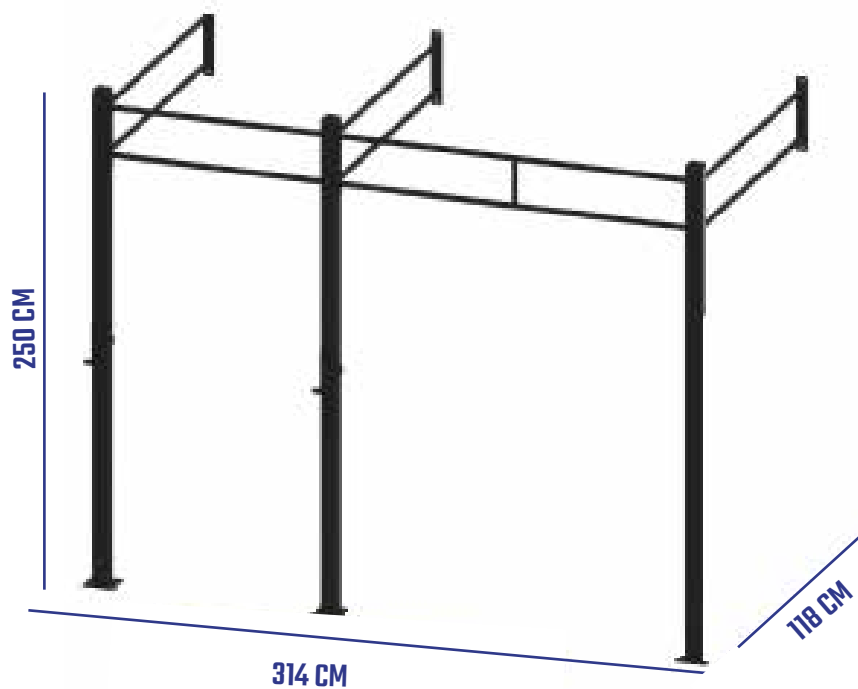
3 X M.E - 01

4 X M.E - 05

1 X M.E - 09

AVAILABLE ACCESSORIES

2 X M.A - 01



WALL MOUNTED RIG 2.50 X 4.32 X 1.18
M.W.R - 03

AVAILABLE ELEMENTS

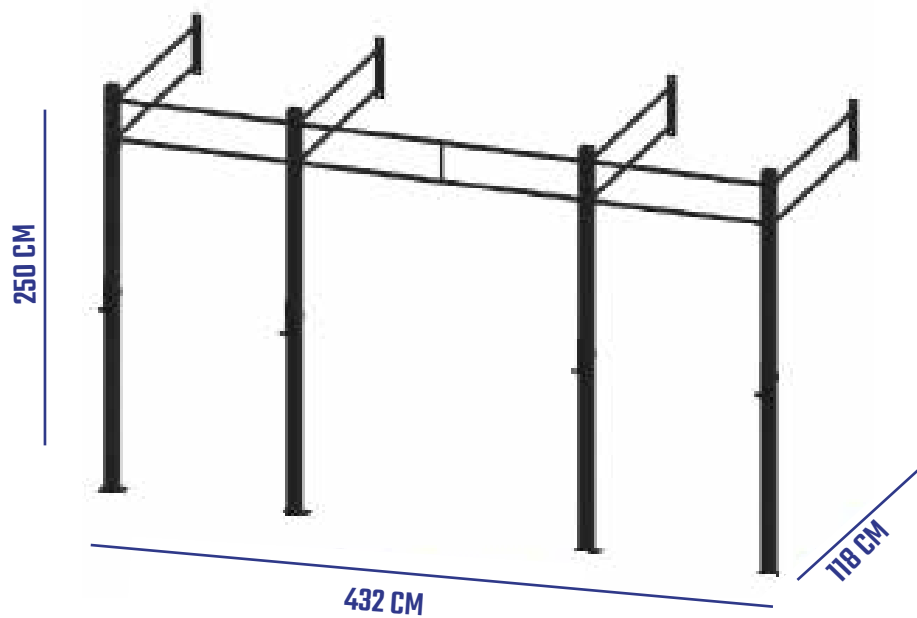
4 X M.E - 01

6 X M.E - 05

1 X M.E - 09

AVAILABLE ACCESSORIES

4 X M.A - 01



WALL MOUNTED

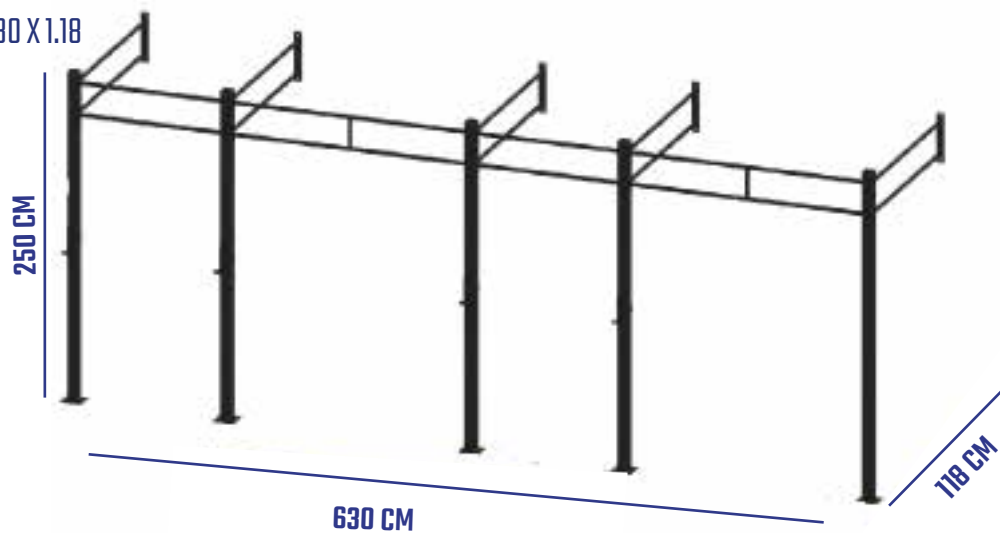
WALL MOUNTED RIG 2.50 X 6.30 X 1.18
M.W.R- 04

AVAILABLE ELEMENTS

- 5 X M.E - 01
- 7 X M.E - 05
- 2 X M.E - 09

AVAILABLE ACCESSORIES

- 4 X M.A - 01



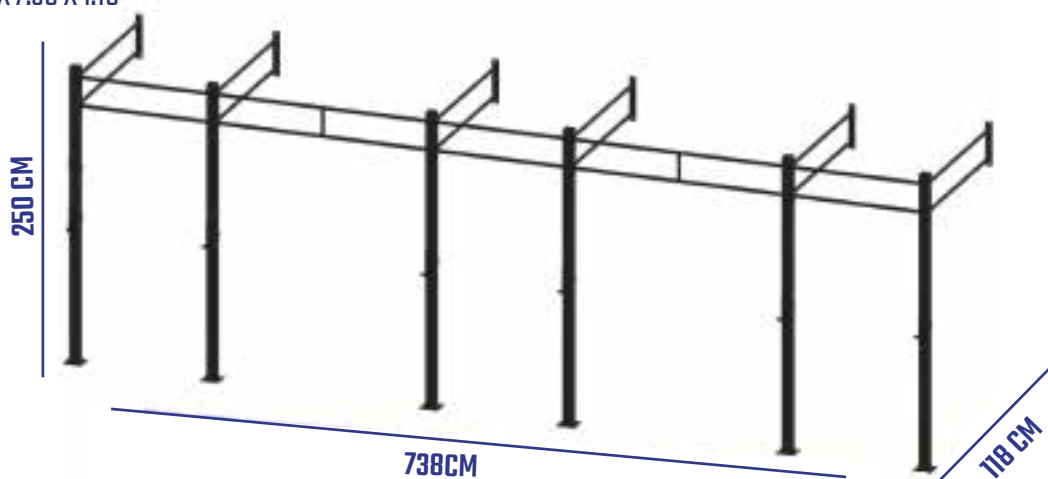
WALL MOUNTED RIG 2.50 X 7.38 X 1.18
M.W.R - 05

AVAILABLE ELEMENTS

- 6 X M.E - 01
- 9 X M.E - 05
- 2 X M.E - 09

AVAILABLE ACCESSORIES

- 6 X M.A - 01





BUMPERS PLATES SET 100 KG
F.B -01

FUNCTIONAL ACCESSORIES

9 BARS HOLDER
F.A - 01



8 ROUND BAR HOLDER
F.A - 02



10 BARS HOLDERS
F.A - 03



LOG LIFT BAR 35 KG
F.A - 04



LOG LIFT BAR 19.5 KG
F.A - 05



BUMPERS STORAGE PLACE
F.A - 06



KETTLE STORAGE PLACE
F.A - 07



POWER SLEED
F.A - 08





PARALLETTES

F.A - 09 20 CM

F.A - 10 35 CM

F.A - 11 70 CM



STEEL PLYO PLATFORM

F.A - 12 30 CM

F.A - 13 45 CM

F.A - 14 60 CM

F.A - 15 75 CM

F.A - 16 90 CM



FUNCTIONAL ACCESSORIES

8 WALL BALL STORAGE PLACE
F.A - 17



AXLE BAR 200 CM / 10 KG
F.A - 18



STORAGE PLACE SINGLE 2 FLOORS
F.A - 19



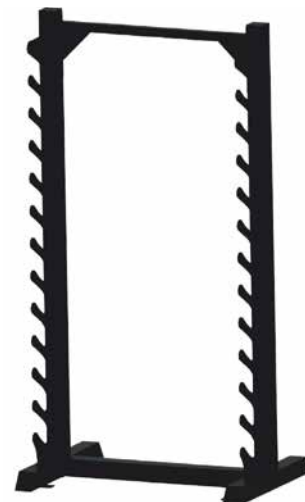
STORAGE PLACE SINGLE 3 FLOORS
F.A - 20



STORAGE PLACE DOUBLE 2 FLOORS
F.A - 21



HORIZONTAL WALL BAR HOLDER
F.A - 22



SUSPENSION TRAINING

SUSPENSION TRAINING STATION 1500
M.ST - 01



SUSPENSION TRAINING STATION 3000
M.ST - 02



DIP BARS
M.STE - 01



TRUSS 1500
M.STE - 02



TRUSS 3000
M.STE - 03









Distribution & Service

Fitness Club 24 Sp. z o.o.

ul. Komorowicka 110

43-300 Bielsko-Biała

Polska



+48 668 313 633



sklep@fitnessclub24.pl



www.fitnessclub24.pl



Fitness Club 24 Distribution & Service



Fitness Club 24 Fitnessgeräte



fitnessclub24distribution